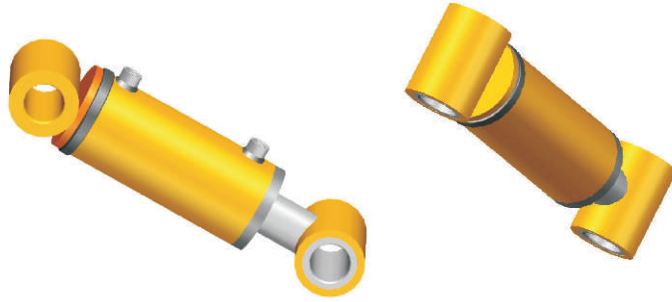


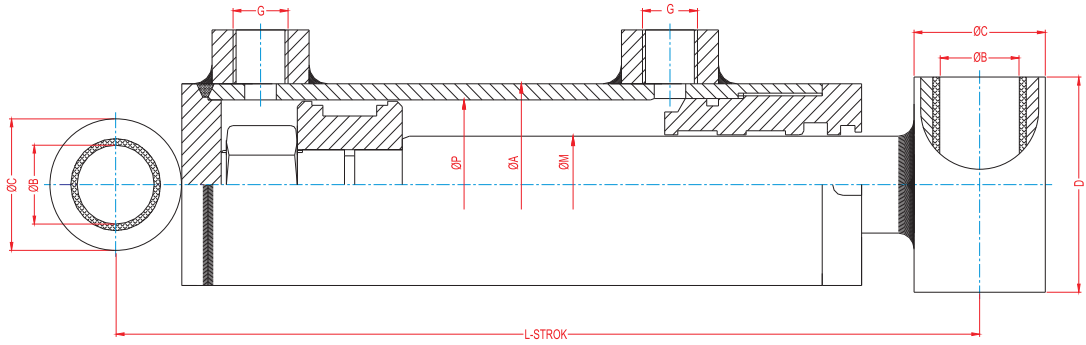


## HC04-2/.... ÇİFT ETKİLİ HİDROLİK SİLİNDİRLER

Double acting hydraulic cylinders



HC04-2/....



| PİSTON | Ø40      | Ø50      | Ø63      | Ø70    | Ø80      | Ø90    | Ø100     | Ø115   | Ø125   | Ø140   | Ø160   |
|--------|----------|----------|----------|--------|----------|--------|----------|--------|--------|--------|--------|
| M      | 22/25/28 | 25/28/30 | 36/40/45 | 45/50  | 40/45/50 | 50/60  | 50/60/70 | 70     | 60/70  | 70/90  | 90/100 |
| A      | 50       | 60       | 75       | 85     | 100      | 110    | 120      | 130    | 150    | 165    | 190    |
| B      | 120      | 25       | 30       | 35     | 40       | 45     | 50       | 50     | 60     | 70     | 80     |
| C      | 40       | 45       | 60       | 65     | 75       | 80     | 90       | 90     | 100    | 120    | 130    |
| D      | 55       | 65       | 80       | 90     | 105      | 115    | 125      | 135    | 155    | 170    | 195    |
| G      | R 3/8"   | R 3/8"   | R 1/2"   | R 1/2" | R 1/2"   | R 1/2" | R 1/2"   | R 1/2" | R 3/4" | R 3/4" | R 3/4" |
| L      | 186      | 193      | 239      | 244    | 273      | 1281   | 302      | 312    | 329    | 380    | 396    |